

## SYMETRICS Deck-mounted basin spout with pop-up waste - Chrome

---

13 713 980



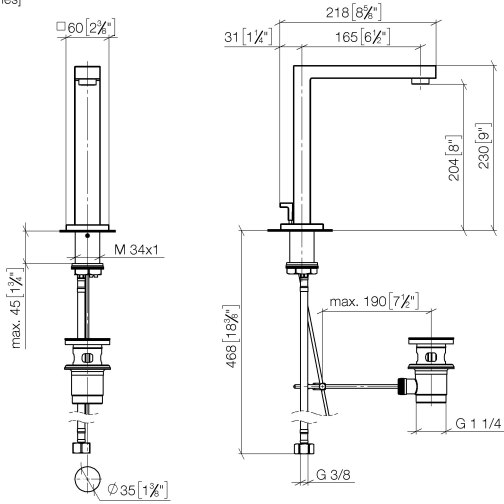
- 165mm projection
- fixed spout
- circular, air-enriched flow
- height of mixer 230 mm
- height up to aerator 205 mm
- hole diameter 35 mm
- 2x screw-in M 10 x 1 pressure hose, leak-tested
- rosette 60 x 60 mm
- max. flow 7 l/min
- lead-free

Only suitable for basins with an overflow.

**SYMETRICS Deck-mounted basin spout with pop-up waste - Chrome**

13 713 980

mm [inches]



**Flow rate chart**



**Certificates**

ETA\_18519.

LGA\_18651.

# SYMETRICS Deck-mounted basin spout with pop-up waste - Chrome

13 713 980

